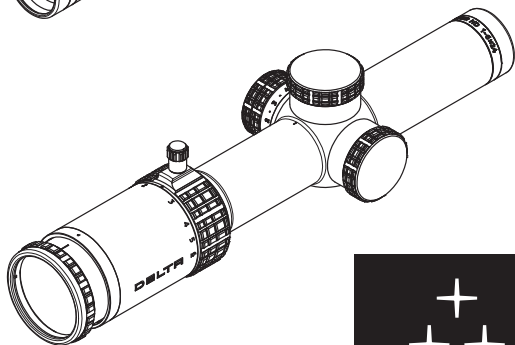
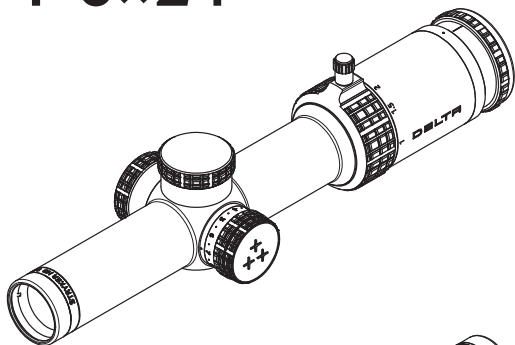


# STRYKER HD 1-6x24



T H E   A I M   I S   O P T I C A L   P E R F E C T I O N

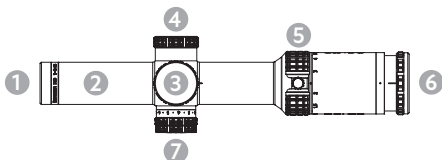


---

## STRYKER HD 1-6x24 MANUAL

Thank you for purchasing our riflescope! We hope that you will have many years of pleasure with it. To maximize your enjoyment of the riflescope, please read this manual carefully.

### I. STRUCTURE OF THE RIFLESCOPE



1. Objective lens
2. Riflescope tube
3. Elevation adjustment
4. Windage adjustment
5. Power selector ring with lever
6. Eyepiece / diopter ring
7. Illumination adjustment

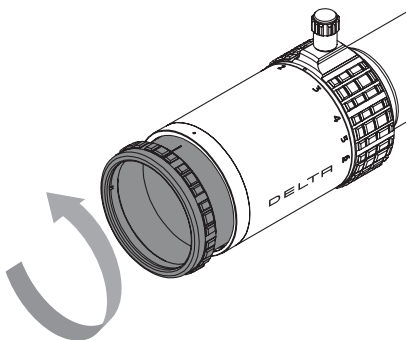
**CAUTION!** Viewing the sun can cause serious eye injury, never look at the sun with this product or even the naked eye!

---

## II. USE OF THE RIFLESCOPE

### 1. FOCUSING (DIOPTER ADJUSTMENT)

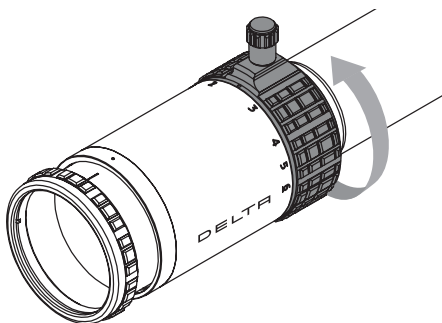
Diopter adjustment is performed by using the ring on end of the eyepiece.



- Hold the riflescope about 7-10 cm (3-4 inches) from your eye and look through the eyepiece at a featureless, flatly lit bright area such as a wall or open sky.
- Turn the knob all the way in the direction counterclockwise.
- Slowly turn the knob until the reticle will be sharply visible.

## 2. POWER ADJUSTMENTS

Change the magnification by setting desired value on a scale of 1 to 6. The zoom ring is located next to the riflescope eyepiece in the place where the eyepiece is goes into the riflescope tube. Using 1x magnification, aim with both eyes in the same way as in the case of sight collimator. Riflescope is equipped with a lever for quick change magnification. It can be dismantled by twisting it.

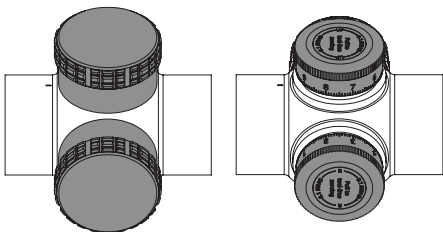


---

### 3. BALLISTIC TURRETS

The riflescope has two adjustment turrets. The elevation turret at the top is responsible for vertical adjustment of the reticle.

The windage turret on the right side is used for horizontal adjustment. Unscrew the caps turrets and set the hit point according to the as indicated by the arrows. After shooting the scale of the knobs can be reset - pull to the top of the knob scale, set it to the „0” position and then lower it down. Then you should protect the turrets with caps.



#### 4. PARALLAX

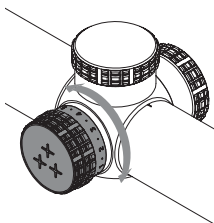
The parallax of riflescope is fixed at 100m.

#### 5. ILLUMINATED RETICLE

On the left side the riflescope is located 11 steps adjustment knob of illumination of the central point of the reticle.

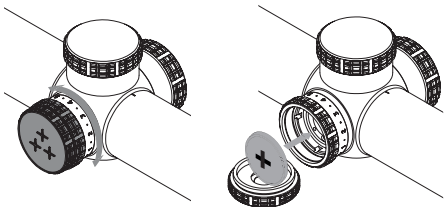
Knob can be turned both directions.

Illumination is off when the knob is in position between successive intensity values.



It is powered by a CR2032 battery.

To install / replace the battery, unscrew the cover the battery compartment while holding down the control knob. Remember to keep appropriate battery polarity.



## 6. MOUNTING

**CAUTION!** All discharging of firearms should be done at an approved range or equally safe area. Use of eye and ear protection is recommended.

Before mounting, you should equip yourself with a torque wrench and spirit levels for leveling the riflescope on the rifle. When tightening the tube rings, the torque value of 2Nm must not be exceeded.

In rifles based on the AR-15 platform, the riflescope should be mounted on a rail above rifle receiver.

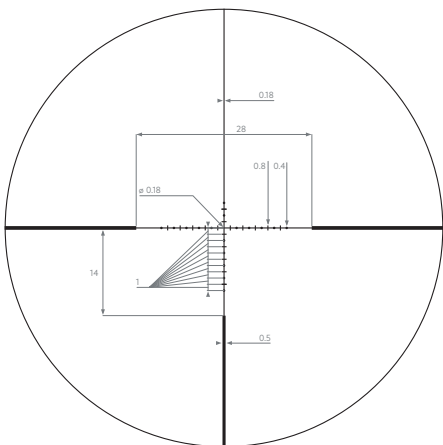
Mount with a 30mm tube rings should allow to keep a distance of 9-10 cm from the eye.



### III. RETICLES CHARACTERISTICS

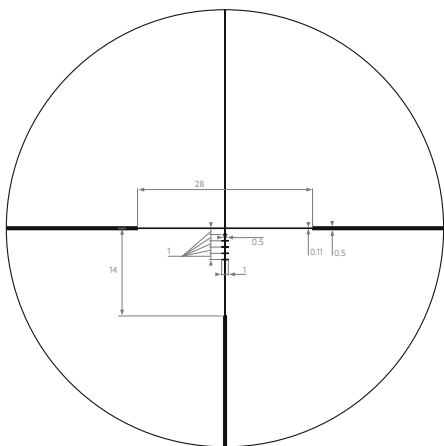
#### 1. DSMR

The DSMR reticle located in the second focal plane is calibrated in MRAD at a magnification of 6x (2100m), which makes it useful regardless of the ballistic of the rifle. Elevation markers spaced every 1mrad allow you to make basic corrections.



## 2. DGMR

The DGMR reticle is placed in the second focal plane and scaled to x6 (@100m). It has only the most necessary MRAD markers on the elevation axis. Thanks to this, the reticle is very clean and not distracting. The central illuminated dot is very bright even on sunny days and very precise - it covers only 1.1cm / 100m. It is the perfect solution for demanding shooters.



## IV. CARE AND MAINTENANCE

Your riflescope, though amazingly tough, is a precision instrument that deserves reasonable cautious care. Do not attempt to disassemble or clean the scope internally. If your riflescope ever does need repairs or adjustments, it should be returned to the distributor where the device was purchased.

The exposed optical surfaces will perform at their best if they are occasionally wiped clean with the lens cloth provided or with an optical quality lens paper like those for eyeglasses or camera lenses. When cleaning the lenses, first blow away any dirt and dust, or use a soft lens brush.

Keep the protective lens covers in place when the riflescope is not in use.

Maintain the metal surfaces of your riflescope by removing any dirt or sand with a soft brush so as to avoid scratching the finish. Wipe the riflescope with a damp cloth and follow with a dry cloth. Finally, going over the tube with a silicone treated cloth will restore luster and protect the scope against corrosion. Be careful not to touch any of the lenses with the silicone cloth.

Store the riflescope in a moisture-free environment. Avoid storing it in hot places, such as the passenger compartments of vehicles

on hot days. The temperatures could adversely affect the lubricants and sealants. A vehicle's trunk, a gun cabinet or a closet is preferable. Never leave the riflescope where direct sunlight can enter either the objective or the eyepiece lens. Damage may result from the concentration (burning glass effect) of the sun's rays.

**WARNING!** Unnecessary rubbing or use of a coarse cloth may cause permanent damage to the lens coatings.

## **LIST OF SPARE PARTS**

To obtain a complete catalog of spare parts for Delta Optical riflescopes, please contact the sales department of the nearest distributor of Delta Optical products.



This symbol on the product or in the instructions means that your electrical and electronic equipment should be disposed at the end of its life separately from your household waste. There are separate collection systems for recycling in the EU. For more information, please contact the local authority or your retailer where you purchased the product.

---

Delta Optical  
Nowe Osiny, ul. Piękna 1  
05-300 Mińsk Mazowiecki  
POLAND  
[www.deltaoptical.eu](http://www.deltaoptical.eu)





DELTA