

RED DOT STRYKER



Thank you for purchasing Delta Stryker Red Dot Sight. We hope you will enjoy it for many years to come. To ensure high performance you should adhere to the rules of this manual.

FEATURES

- type of device: open
- two buttons for setting illumination intensity level
- 10 different illumination intensity levels
- automatic shut-off after longer inactivity
- wide field of view
- suitable for handguns/pistols and large caliber weapon

CAUTION

Never point your red dot sight or any other optical device directly toward the sun. Looking at the sun without special filters can cause permanent damage to your eyesight.



(Applies within the EU and for other countries with segregated waste collection systems.) This device contains batteries which must not be disposed of in general household waste! Take these batteries to the appropriate collection point for proper handling, recovery and recycling. Please contact your local authorities, waste disposal collection point or the retailer, from whom you purchased the device for more information on correct waste disposal.

DISPOSAL OF ELECTRONIC EQUIPMENT

Do not attempt to disassemble, reassemble or repair. The 5-YEAR warranty is void if the device is disassembled or repaired by an unauthorised person. Please talk to your local dealer or directly to Delta in Poland.

CAUTION + WARRANTY

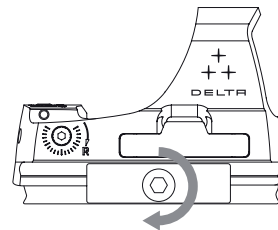
Model	Stryker Red Dot
Magnification	1.05x
Dot size	4,68 MOA
Lens	26x21,6 mm
Length	56,5 mm
Weight	41,5 g
Warranty	5 years

MOUNTING

CAUTION

When mounting your red dot sight ensure that your weapon is disarmed.

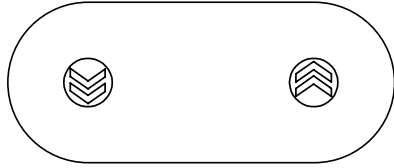
Delta Stryker Red Dot Sight is equipped with a Weaver mount. Additionally you can buy an adjustable mount for 6-14 mm dovetails (so-called swallowtail).



Before installing the mount, loosen the clamping screw and then slide it on the rail located on your weapons. With Weaver rail, the screw that goes through the center of the mounting should be placed in the slots of the rail. After checking whether the red dot sight properly rests on a rail you should strongly tighten the screw.

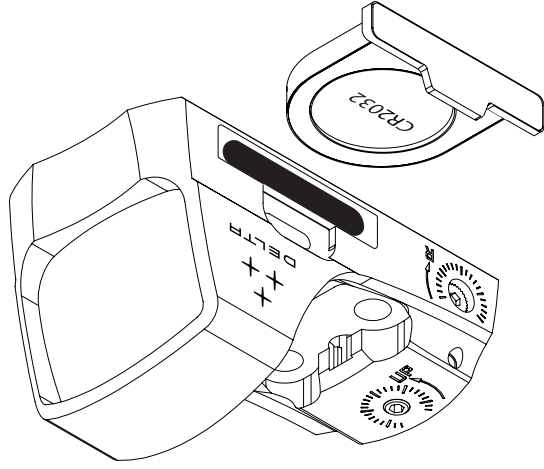
OPERATION PROCEDURES

Delta Stryker Red Dot Sight has two buttons that allow setting 10 different illumination intensity levels.



- To increase brightness push the button Up arrow
- To decrease brightness push the button Down arrow
- To switch on/off the device hold any of the buttons for 2 seconds.
- The device shuts off automatically after 3 hours of inactivity.
- The device starts with the same level of brightness as it was shut off with.

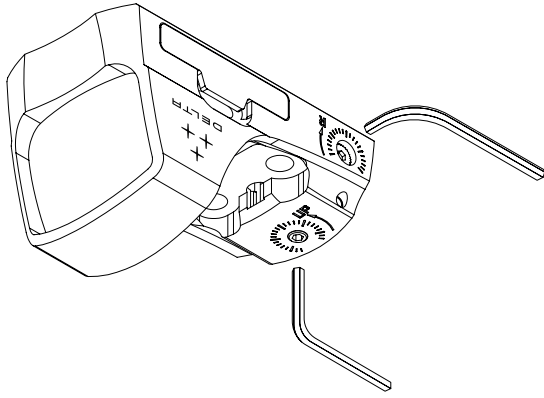
BATTERY



The device is powered by a single 3V CR2032 battery. The battery container is a small tray on the right side of the device. Pull out the tray, insert the battery with the positive side up and then slide the tray back into the body.

ZEROING

The device features adjustable elevation and windage screws. Each click moves the point of impact by 1 MOA. 1MOA = 2,9 cm @ 100m.



Adjustment: use the hex wrench to adjust elevation (the screw on the rear marked UP). During adjustment you can hear clicks (1 click equals 1MOA). Adjustment of windage is similar and is done with the screw marked R.

MAINTENANCE

Delta Stryker Red Dot Sight despite its robust construction is a precision optical device that needs appropriate care.

Never attempt to disassemble the device. If the device needs cleaning or repair send it to a professional repair department in order to eliminate any defects.

When you are not using your red dot sight put a cap on it to prevent dust. Mechanical components should be cleaned with a soft brush. The device should be stored in a dry place. Avoid storing the device at high temperatures (eg. in a closed car on a hot day). High temperatures may adversely affect the grease and other interior materials and parts of the device. Inadequate cleaning by rubbing or using inappropriate cloth can permanently damage the lens coating.