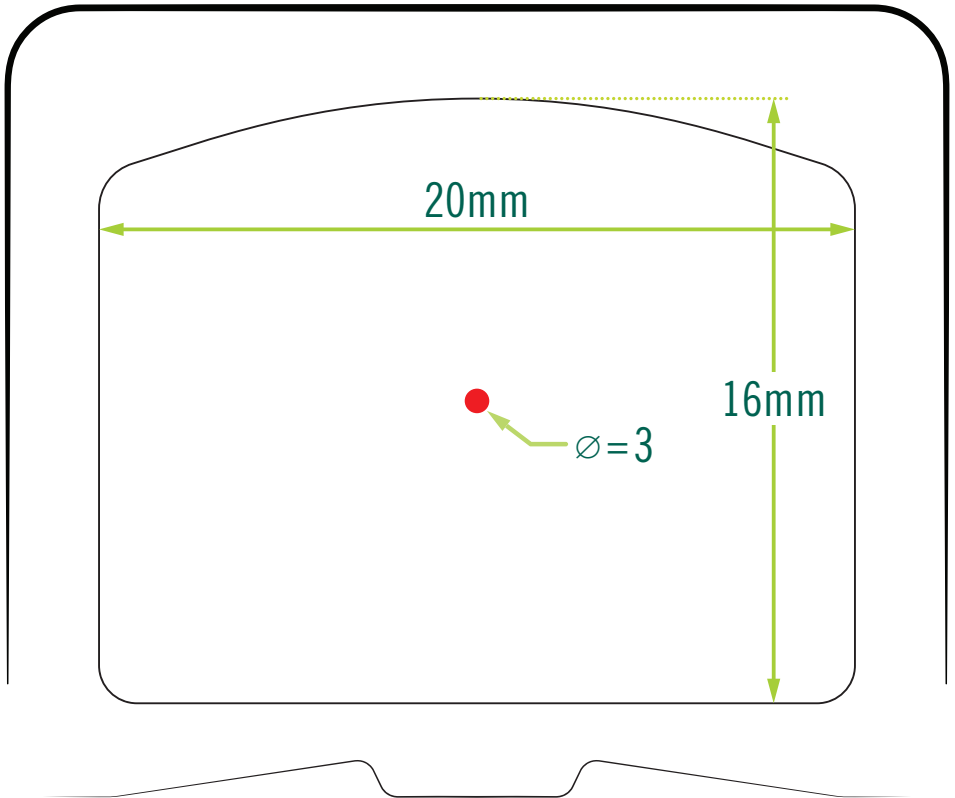


DEFENDER-CCW™ 3 MOA Subtensions & Window Dimensions



.....[NOTES].....

Subtensions measured in MOA.

Ø=Diameter

Reticle image shown for representation only.

Dimensions are measured from inside of protective housing.